

VHi

2 Megapixel Covert IP Camera

Covert Network

Specifications



Key Features

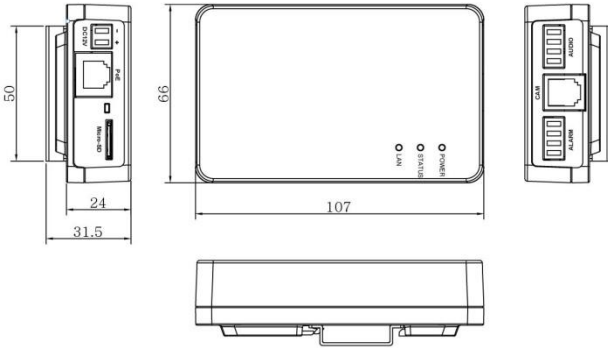
- *2 Mega pixel 1/3" Aptina CMOS image sensor for discreet use.
- *3.7mm Wide angle Megapixel Pinhole Lens (78°)
- *Supports image resolutions up to Full HD (1920 x 1080)
- *Supports WDR, Defog, 2D+3DNR, Smart IR
- *Dual Streaming of H.264 and M-JPEG
- *Up to 30 frames per second at all image resolutions
- *Integrated motion detection with pre- and post-alarm image / video buffering
- *Event-triggered FTP and email upload of still images and videos
- *Full Duplex Two-Way Audio Support
- *External sensors and External alarm devices support
- *UPnP supported/ HTTPs supported
- *Supports CBR and CVBR modes /Controllable frame rates
- *Digital PTZ
- *12VDC/ IEEE802.3af POE
- *Conformant with ONVIF (Profile-S)
- *Includes Windows based IP Installer and license-free 16 channel NVR(Network Video Recorder) software

MODEL	VHi
System	
CPU	32-bit ARM9 RISC CPU up to 432MHz
Flash	128 Mbyte
SDRAM	128 Mbyte
Camera	
Image sensor	2.0 Megapixel 1/3" Aptina CMOS Image Sensor(or)
Total Pixels	1920(H) x 1080(V) 2 Megapixel
Effective Pixels	1920(H) x 1080(V) 2 Megapixel
S/N Ratio	More than 50dB
Min. Illumination	0.2 Lux
Day & Night	Auto (AGC D/N)
Lens	3.7mm Wide angle Megapixel Pinhole Lens
Video	
Video compression	H.264 High Profile@4.0, MJPEG-Image quality: 3 Steps
Resolutions	Up to 1920 x 1080 (Full HD)
Frame rate	H.264 Up to 30fps with 1920x1080 MJPEG Up to 30fps with VGA resolution
Video streaming	Support multi stream with H.264, MJPEG, Adjustable frame rate, CVBR/CBR in H.264
Pan/Tilt/Zoom	Digital PTZ
Image Setting	Day & Night / Auto Exposure
	Auto White Balance
	WDR(Low/Middle/High)
	Defog(On/Off), Smart IR (Off / 0~15)
	3DNR(On/Off)
Output	CVBS : 1.0 Vp-p / 75Ω composite
Alarm In/Out	In: 1, Out: 1
Audio (optional)	
Audio Streaming	One Way Audio (Microphone Input/ 1x Live-in (Single mono))
Audio Compression	G.711
Sample Rate	8KHZ
Data Rate	64Kbps
Audio input	Microphone input / 1 x Line-In (Mono)
Audio output	Line output / 1 x Line-Out (Mono)
Network/ System Integration	
Security	Password Protection, User access log, HTTPS encryption
Supported protocol	HTTP, HTTPS, FTP, SMTP, UPnP, DNS, DDNS, NTP, RTSP, RTP, TCP, UDP, ICMP, DHCP
Intelligent video	Motion detection up to 1920x1080 with 4x3 blocks
Alarm Trigger	Motion detection/ External input / Normal Open / Close Type
Alarm events	File upload via ftp, E-mail, Notification via email, FTP and TCP
Video buffer	5MB pre-alarm and 180 sec (max) post-alarm
Firmware upgrade	Remote upgrade via network
API	CGI Interface document, ActiveX Interface(ocx(dll) + document)
Physical	
Power Source	DC12V/1.5A, PoE(Power over Ethernet): 802.3af-Optional
Storage	Micro SD Slot (Built-in)
Power Consumption	Max. 4.5W
Net Weight	246g (Included Cable/ Sensor module)
LED's	Power, Network Status, Network Link
Dimension	66mm(W) x 107mm(H) x 24mm (D)
General	
Operating Temperature	-10 degree~50 degree Celsius(14F~122F)
Storage Temperature	-20 degree~60 degree Celsius(-4F~140F)
Software	
Included Software	NVR C/S (16 Channel), IP Installer (Windows only)

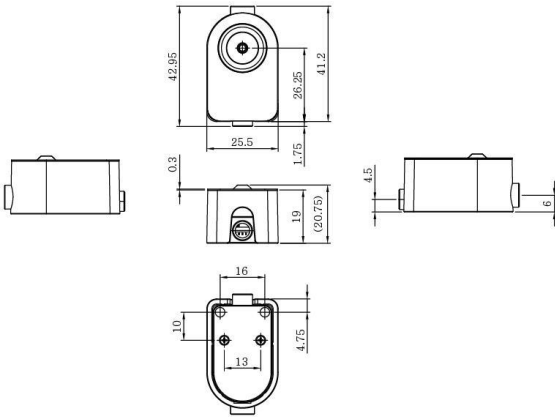
* Specifications are subject to change without prior notice.

Dimensions (Unit :mm)

Main unit (Server)

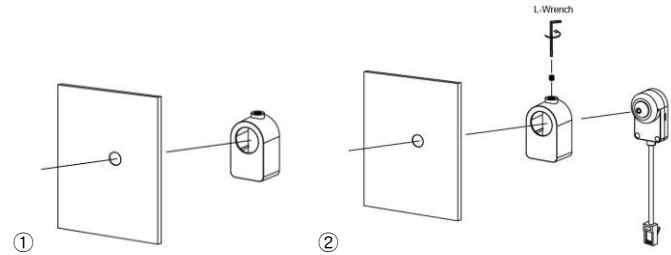


Sensor unit (Camera)

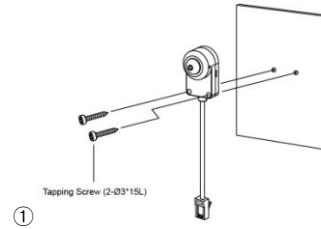


Sensor unit (Camera)

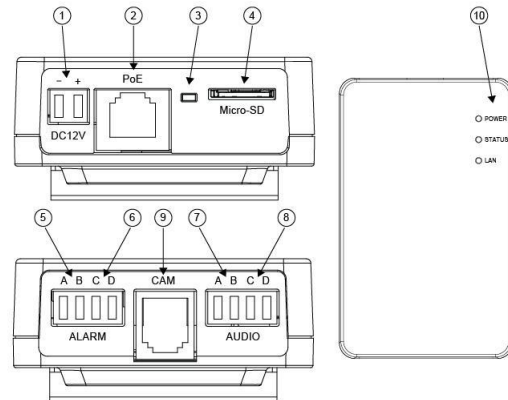
w/ Decorated cover



w/ Unit only

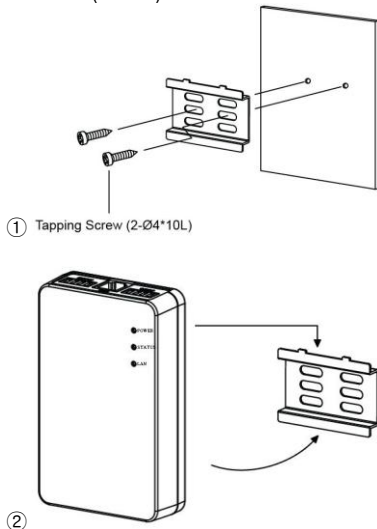


Functions



Installation (Hardware)

Main unit (Server)



No.	Item	
①	Power connector	
②	Network and POE connector	
③	Reset button	
④	Micro SD card slot	
⑤	A	Alarm COM
	B	Alarm NO
	C	GND
⑥	D	Alarm IN
	A	GND
⑦	B	Micro phone
	C	GND
⑧	D	Line - Out
	⑨ RJ-12 connector	
⑩	Status LED	